



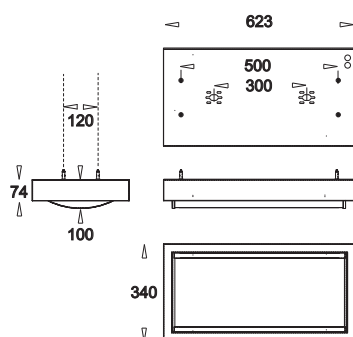
# Koracol

The Koracol is a surface/suspended\* luminaire available in 600 and 1200mm formats, suitable for use in many educational, healthcare and commercial environments. Utilising the same range of lenses found within our Kallista recessed range, the Koracol is available in 4 variations; the Virtual Daylight® Optika, the high output MTX, the distinctive Q45, or the traditional Grid lens. A highly diffuse yet reflective (HDR) internal structure ensures a high output with minimum lamp read. Lenses are quickly and toollessly removable and can be hinged down for access. Manufactured from white painted mild steel.

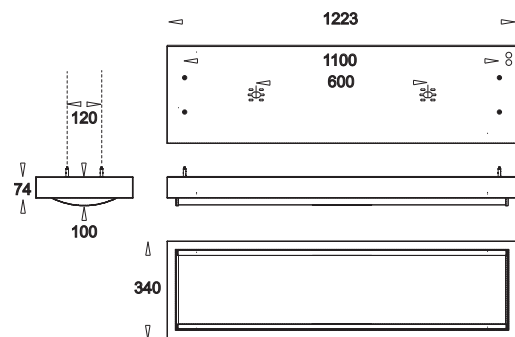
\* Via optional kit

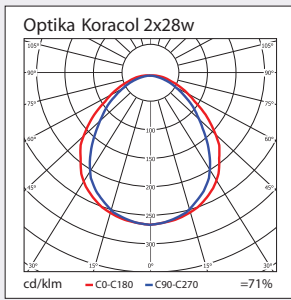
- A range of lens options
- HDR reflector design
- Standard & BESA fixings
- Surface or Suspended
- Transparent lens release clips
- T5 lamp options

Koracol 600



Koracol 1200





Product	Available Options	Power	Weight	Height	Width/Length	Fixing Centres
KOL-214	-DSI,-110,-DALI,-SD,-EMI,-CLR	2x14w	5.70kg	74	340x623	300/500
KOL-314	-DSI,-110,-DALI,-SD,-EMI,-CLR	2x14w	5.70kg	74	340x623	300/500
KOL-414	-DSI,-110,-DALI,-SD,-EMI,-CLR	2x14w	5.70kg	74	340x623	300/500
KOL-224	-DSI,-110,-DALI,-SD,-EMI,-CLR	2x14w	5.70kg	74	340x623	300/500
KOL-324	-DSI,-110,-DALI,-SD,-EMI,-CLR	2x14w	5.70kg	74	340x623	300/500
KOL-228	-DSI,-110,-DALI,-SD,-EMI,-CLR	2x14w	10.20kg	74	340x1223	600/1100
KOL-254	-DSI,-110,-DALI,-SD,-EMI,-CLR	2x14w	10.20kg	74	340x1223	600/1100

Options Code Suffix

Dimming - DSI	-DSI
Dimming - 110	-110
Dimming - DALI	-DALI
Dimming - SD	-SD
3 Hour Internal Emergency Facility	-EMI
Colourless Translucent Endcaps	-CLR

Light Source	Code		Power	Lampholder	Colour Temp	Output
	ILCOS	LBS				
Linear Fluorescent	FDH	T16	14w	G5	865	1100 lm
Linear Fluorescent	FDH	T16	24w	G5	865	1650 lm
Linear Fluorescent	FDH	T16	28w	G5	865	2400 lm
Linear Fluorescent	FDH	T16	54w	G5	865	4250 lm

Accessories Code Suffix

Q45 Fisheye Lens	-Q45
Optika II Polarising Lens	-OPT
MTX Microprism Lens	-MTX
Grid Lens	-GRD