



LED line

The LED Line is a modular LED power flex housed within an aluminium track and covered with a PMMA diffuser. The product is sold as a kit of parts that can be cut and assembled on site as required. The product is designed to provide significant light, unlike many linear light LED products. This is necessary for the light effect to have any impact within typical commercial ambient light levels.

The central element of a LED Line kit is a reel of quality power LEDs (Osram) at 42/metre with a power consumption of 26watt/metre and output (at 5400k) of 964lumens/metre or 535 lumens/metre at 2700k.

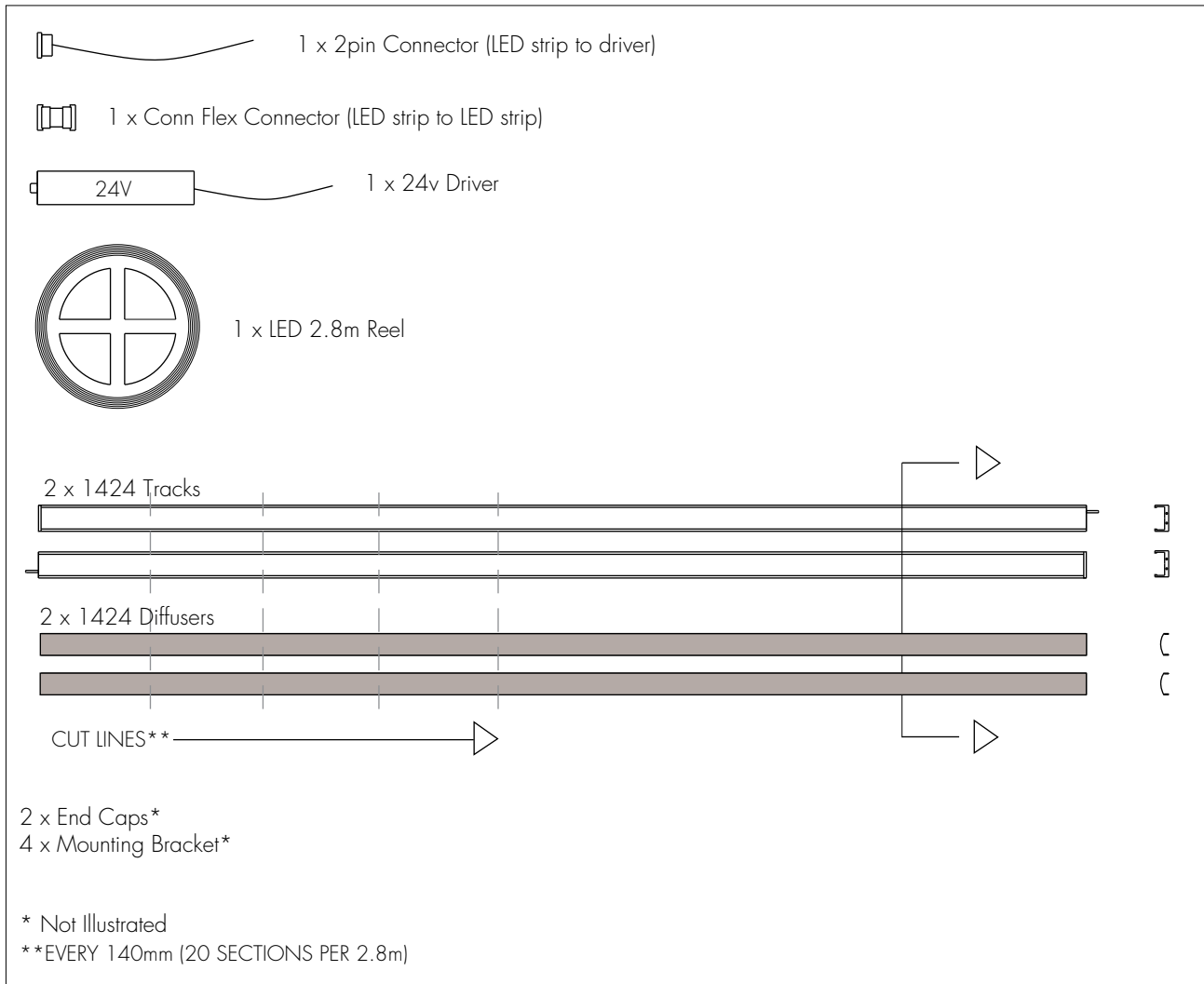
The LED line aluminium track is an optimised heatsink to ensure that the LEDs last a reasonable period of time, which we estimate to be around 30,000 hours, although the LEDs themselves are rated to 60,000 hours. Rated life is misleading since it is totally dependent on operating temperature and we have therefore suggested the lower figure based on likely operational characteristics rather than laboratory tests.

Each LED Line includes a 24v driver optimised for the LED drive characteristics. The driver has a 75w capacity - enough for one 2.8m length of LED Line - and can be wired in parallel for multiple runs.

- Osram LEDs
- Heatsink optimised track
- Diffuser cover
- Driver included
- Long life
- High output



Kit - LED line 2800



Kit*	Power	LEDs	Kit L x W x H	Driver 24v	Driver L x W x H
LED line 2800	72w	x 120	2848 x 35.5 x 37.5	75w	220 x 47 x 44

Light Source	Power	Colour/Temperature	Radiance Angle °	Output
LM10P - W4F**	72w	White/5400 k	120	2700 lm

* Custom Lengths available, Includes mounting brackets (4)

** Data given per 2800mm length