

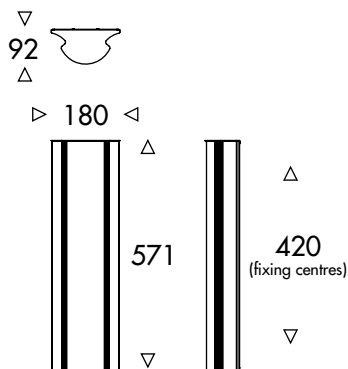


Zenon

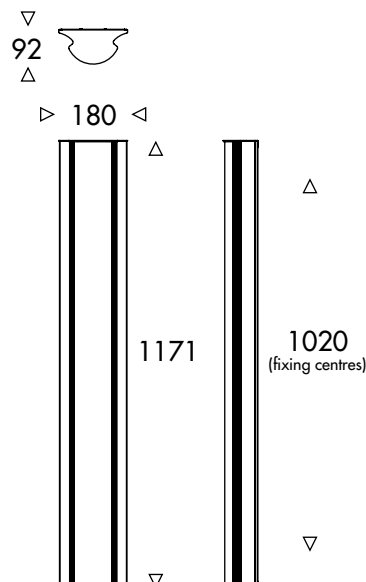
The Zenon is a linear direct/indirect surface mounted luminaire. The high transmission optics in combination with the curved reflector make the Zenon a superior luminaire in its class. Designed for mounting to plasterboard or 24mm T-grid ceilings (via optional fixing brackets).

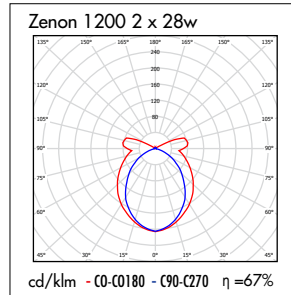
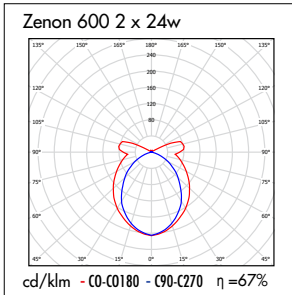
- Surface Mounted
- Single & Twin T5 Lamps
- Removable Lens
- 3 Hour Internal Emergency Option
- Dimming Options
- 600 & 1200mm Versions

Zenon 600



Zenon 1200





Product	Available Options	Power	Weight	Height	Width	Length
ZNN-214	-DSI,-1 10,-DALI,-SD,-EMI	2 x 14w	2.4kg	92	180	571
ZNN-224	-DSI,-1 10,-DALI,-SD,-EMI	2 x 24w	2.4kg	92	180	571
ZNN-128	-DSI,-1 10,-DALI,-SD,-EMI	1 x 28w	3.9kg	92	180	1171
ZNN-154	-DSI,-1 10,-DALI,-SD,-EMI	1 x 54w	3.9kg	92	180	1171
ZNN-228	-DSI,-1 10,-DALI,-SD,-EMI	2 x 28w	3.9kg	92	180	1171
ZNN-254	-DSI,-1 10,-DALI,-SD,-EMI	2 x 54w	3.9kg	92	180	1171

Options	Code Suffix
Dimming - DSI	-DSI
Dimming - 1-10v	-1 10
Dimming - DALI	-DALI
Dimming - Switchdim	-SD
3 Hour Internal Emergency Facility	-EMI
T-Grid Fixing Clips (x2)	-T24

Z-Sense Controls*	Code Suffix
Master	ZS-MST
Slave	ZS-SLV
Sensor Slave	ZS-SSL
I.R Remote	ZS-IRM

Z-Way Controls*	Code Suffix
Master	ZS-MST
Slave	ZS-SLV

*Please refer to the Zen brochure for details