

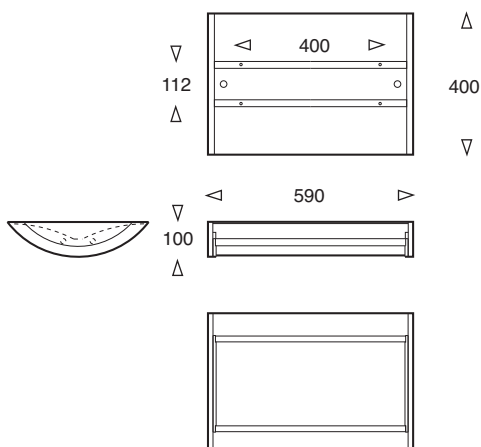


# Caprica

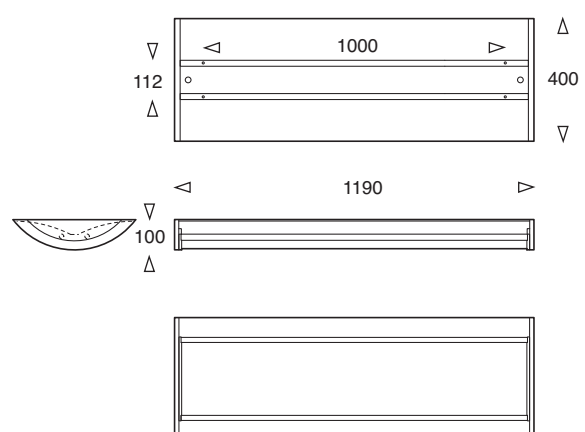
The Caprica is the surface mounted sister of the Kallista. Both complement each other visually and can be used within the same space where required. All 4 of the Kallista's lens variants (Q45 Fisheye, Optika II, MTX or Grid) are available for the Caprica. Please refer to the Kallista product pages for lens details. Uniquely, the lenses can be repositioned within the Caprica's body to produce an asymmetric output, useful for wall washing or indeed when wall mounting the fitting. Integral 3hr maintained emergency facility available.

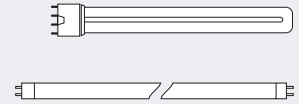
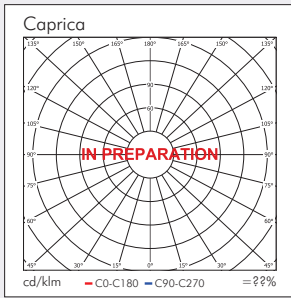
- Choice of 4 interchangeable lens types
- Unique repositionable lens
- 3hr integral emergency option
- Visually complements the Kallista
- Polycarbonate end-caps
- Steel & extruded aluminium construction

## Caprica 600



## Caprica 1200





Product	Available Options	Power	Weight	Height	Width/Length	Fixing Centres
CAP-214	-DSI,-110,-DALI,-SD,-EMI	2 x 14w	4.5kg	100	400 x 590	112 x 400
CAP-224	-DSI,-110,-DALI,-SD,-EMI	2 x 24w	4.5kg	100	400 x 590	112 x 400
CAP-228	-DSI,-110,-DALI,-SD,-EMI	2 x 28w	8.5kg	100	400 x 1190	112 x 1000
CAP-254	-DSI,-110,-DALI,-SD,-EMI	2 x 54w	8.5kg	100	400 x 1190	112 x 1000

Options	Code Suffix
Dimming - DSI	-DSI
Dimming - 110	-110
Dimming - DALI	-DALI
Dimming - Switchdim	-SD
3 Hour Internal Emergency Facility	-EMI

Light Source	Code	Power	Lampholder	Colour Temp	Output	
	<b>ILCOS</b>	<b>LBS</b>				
Linear Fluorescent T5	FDH	T16	14w	G5	865	1100 lm
Linear Fluorescent T5	FDH	T16	24w	G5	865	1650 lm
Linear Fluorescent T5	FDH	T16	28w	G5	865	2400 lm
Linear Fluorescent T5	FDH	T16	54w	G5	865	4250 lm

Accessories	Code Suffix
Q45 Fisheye Lens	-Q45
Optika II Polarising Lens	-OPT
MTX Microprism Lens	-MTX
Grid Lens	-GRD