

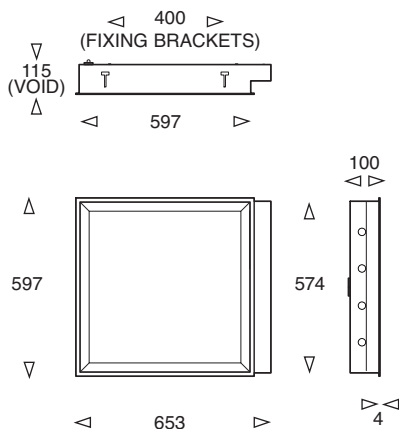


# Ion

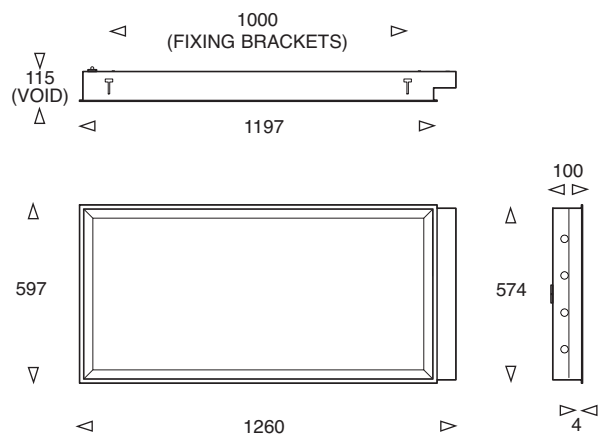
**The Ion is an attractive IP65 fitting with natural anodised aluminium frame without any visible fixings. Suitable for ergonomic spaces with clean requirements – catering, laboratories, hospitals, clean manufacturing etc. The Ion will fit into most ceilings (T-grid, plasterboard and metal tile) with voids over 115mm. Supplied with fixing brackets.**

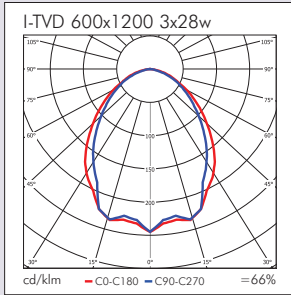
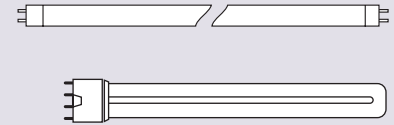
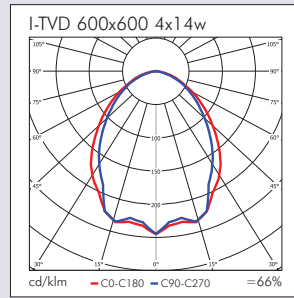
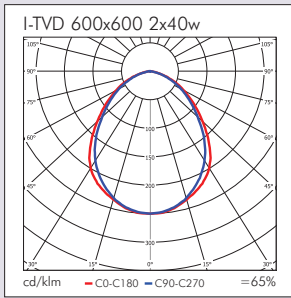
- Virtual Daylight® specification
- IP65 sealed aluminium frame
- Long life lamp & gear option
- No visible fixings
- Lift & tilt or offer up installation

## Ion 600x600



## Ion 600x1200





Product	Available Options	Power	Weight	Height	Width	Length
ION6-240	-DSI,-110,-DALI,-SD,-EMI,-B45	2 x 40w	10.6kg	100	597	597
ION6-314	-DSI,-110,-DALI,-SD,-LL,-EMI,-B45	3 x 14w	10.6kg	100	597	597
ION6-414	-DSI,-110,-DALI,-SD,-LL,-EMI,-B45	4 x 14w	10.6kg	100	597	597
ION6-328	-DSI,-110,-DALI,-SD,-LL,-EMI,-B45	3 x 28w	19.5kg	100	597	1197
ION6-428	-DSI,-110,-DALI,-SD,-LL,-EMI,-B45	4 x 28w	19.5kg	100	597	1197

Options	Code Suffix
Dimming - DSI	-DSI
Dimming - 110	-110
Dimming - DALI	-DALI
Dimming - Switchdim	-SD
Longlife Lamps & Gear	-LL
3 Hour Internal Emergency Facility	-EMI
Chamfered Bezel	-B45

Light Source	Code		Power	Lampholder	Colour Temp	Output
	ILCOS	LBS				
Compact Fluorescent	FSDH	TC-L	40W	2G11	865	3500 lm
Linear Fluorescent T5	FDH	T16	14W	G5	865	1100 lm
Linear Fluorescent T5	FDH	T16	24W	G5	865	1650 lm
Linear Fluorescent T5	FDH	T16	28W	G5	865	2400 lm