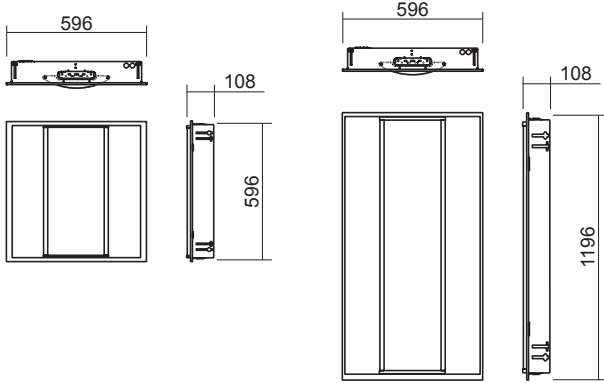
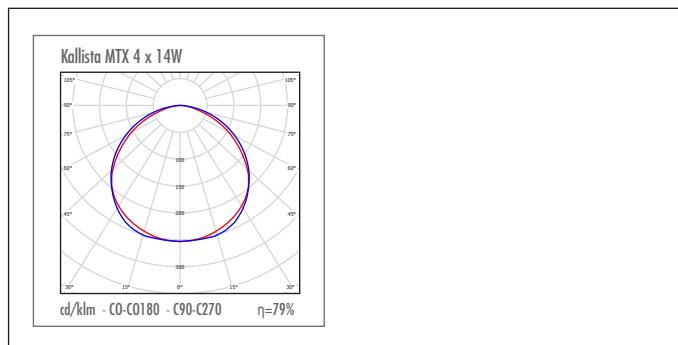


Kallista



The Kallista is a very flexible luminaire, which is ideal for a highly efficient workspace. The wide range of lenses, lamp formats and luminaire bodies means that there is a version to suit most applications and ceiling types. This is true not only for nearly all offices, but many other spaces as well, such as classrooms.

Drawing	
	
Body options	
585 x 585mm	-TEG
599 x 599mm	-MTL
496 x 496mm	-KAL5
750 x 750mm	-KAL7



Product details	
Installation	
Mounting	Ceiling recessed
Void required	110mm
Ceiling integration	T-grid/Metal tile/Plasterboard
Weight	6.2kg
Control gear mounting	Integral
Application	
Distribution	Direct/Indirect
Colour finish	White
Colour temperature	4000/6500k
Control gear supplied	Electronic fixed output
Dimming (optional)	1-10V analogue Switch dimming DSI DALI
Lamp power	1 x 36W TC-L 1 x 55W TC-L 2 x 24W T5 2 x 28W T5 2 x 36W TC-L 2 x 40W TC-L 2 x 54W T5 3 x 14W T5 3 x 24W T5 4 x 14W T5
Emergency options	3 hour facility 3 hour facility self-test 3 hour facility central test 3 hour LED facility 3 hour LED self-test 3 hour LED central test
Options	
Air handling (20l/s)	-AH
Low void	-LV
Fixing Bracket	-FB2
Integral Sensor	-SEN

Performance - MTX

based on fixed output high frequency ballast with 4000K light source

Light Source	Lumen Package (lm)	LOR (%)	System Power (W)	Luminaire Lumens/ Circuit Watt (lm/cW)	SKA			Part L
					E02	E03	E04	
1 x 36W TC-L	2900	66	38	50.4	•	•		
1 x 55W TC-L	4800	65	59	52.9	•	•		
2 x 24W T5	3500	79	48.5	57.0	•	•		•
2 x 28W T5	5200	79	61	67.3	•	•	•	•
2 x 36W TC-L	5800	66	74	51.7	•	•		
2 x 40W TC-L	7000	65	84	54.2	•	•		
2 x 54W T5	8900	79	118	59.6	•	•		•
3 x 14W T5	3600	79	47	60.5	•	•	•	•
3 x 24W T5	5250	79	76	54.6	•	•		
4 x 14W T5	4800	79	62	61.2	•	•	•	•