

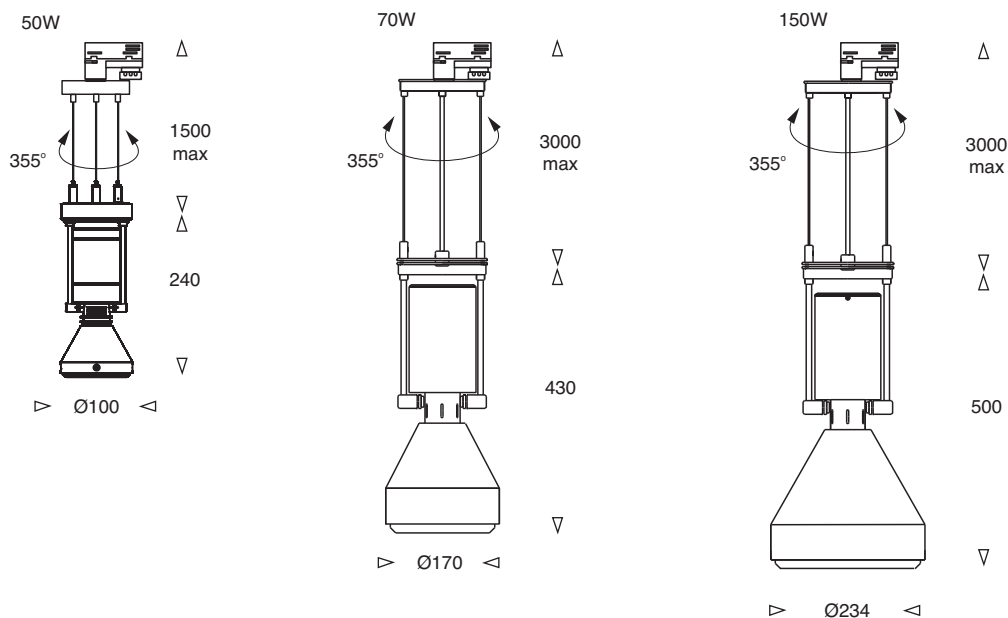


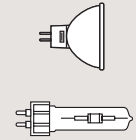
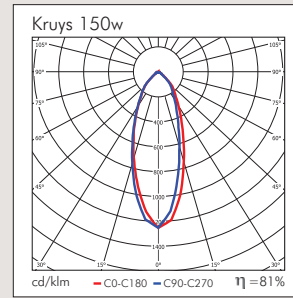
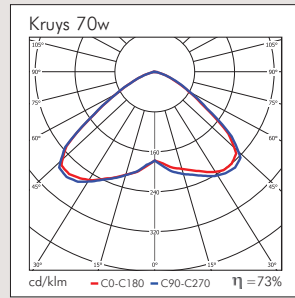
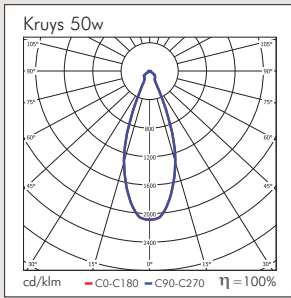
# Kruys Track Suspended

**Kruys Track Suspended is a premium, adjustable spotlight in a range of wattages and configurations. Three sizes of body are available, dependant on lamp selection providing a solution for most display/architectural lighting applications. The body is of a die-cast aluminium construction with a matt metallic grey finish. Adjustable by 355° on the vertical axis.**

- Die-cast aluminium construction
- 3-point wire suspended
- Eurotrack compatible mounting
- Borosilicate glass
- Matt metallic grey finish
- 355° Adjustable
- 50/ 70/150w lamp options

## Kruys Track Suspended





Product	Available Options	Power	Weight	Height	Diameter	Drop
KRS-TS-150	-20,-35,-50,-12,-24,-38,-60,-LL	1 x 50w	2.4kg	230	100	1500
KRS-TS-170		1 x 70w	4.6kg	430	170	3000
KRS-TS-1150		1 x 150w	6.8kg	500	234	3000

Options	Code Suffix
Lamp Wattage	-20,-35,-50
Lamp Beam Angle	-12,-24,-38,-60
Longlife Lamp	-LL

Light Source	Code		Power	Lampholder	Colour Temp	Output
	ILCOS	LBS				
Longlife LV Halogen Dichroic 12°	HRGS	QR-CBC51	50w	GU5.3	100/30k	6500 cd
Longlife LV Halogen Dichroic 24°	HRGS	QR-CBC51	20-50w	GU5.3	100/30k	880/1700/2700 cd
Longlife LV Halogen Dichroic 36°	HRGS	QR-CBC51	20-50w	GU5.3	100/30k	450/950/1500 cd
Longlife LV Halogen Dichroic 60°	HRGS	QR-CBC51	35-50w	GU5.3	100/30k	400/600 cd
Ceramic Metal Halide	MT	HIT-CE	70w	G12	942	6600 lm
Ceramic Metal Halide	MT	HIT-CE	150w	G12	942	12700 lm