

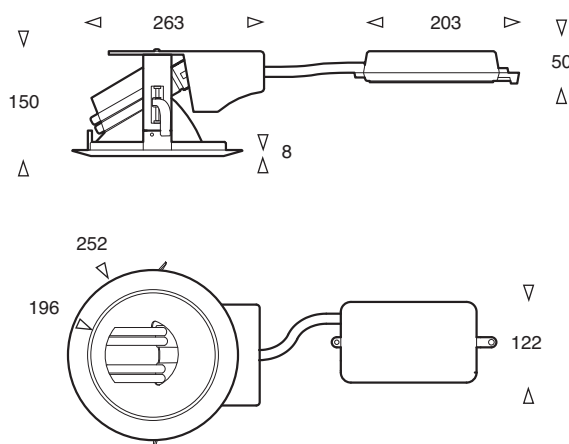


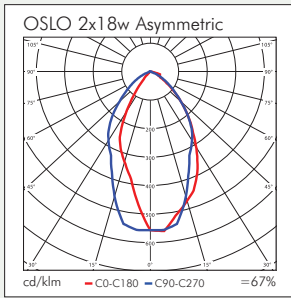
# Oslo Asymmetric

The Oslo Asymmetric is capable of directing its light output with minimum efficiency loss thanks to an innovative reflector design. Manufactured to a high specification, featuring a die-cast bezel and spun aluminium reflector. Electronics are housed in a tough Polyamide (30% glass fibre) remote box, which can be clipped onto the back of the body or detached to reduce installation depth (standard version only). Easy ceiling fix via flip-out and screw down arms.

- Asymmetric distribution
- 99.9% pure aluminium reflector
- Tough GRP gearbox
- Simple installation
- Optional, metal tile ceiling support pattress available.

## Oslo Asymmetric





Product	Available Options	Power	Weight	Height	Diameter	Cutout
OSL-ASY-218	-DSI,-110,-DALI,-SD,-EMR	2 x 18w	2.5kg	150	252	210

Options	Code Suffix
Dimming - DSI	-DSI
Dimming - 110	-110
Dimming - DALI	-DALI
Dimming - Switchdim	-SD
3hr Remote Emergency Facility	-EMR

Light Source	Code		Power	Lampholder	Colour Temp	Output
	ILCOS	LBS				
Compact Fluorescent	FSQ-18-E	TC-DEL	18w	G24q-2	860	1200 lm

Accessories	Code Suffix
Ceiling Support Pattress	-PAT