

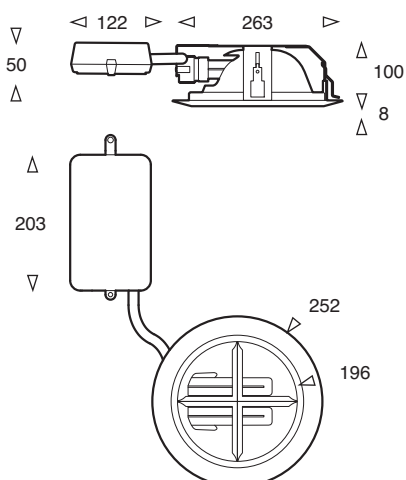


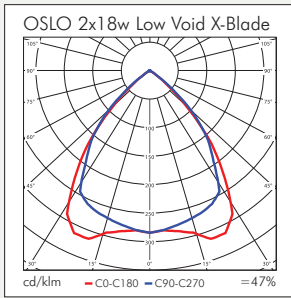
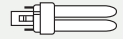
Oslo LV (Low Void)

Designed for use in ceilings with restricted void depth, the Oslo LV incorporates a removable x-blade louvre, reducing the glare that can otherwise hinder shallow downlights. Electronics are housed in a tough Polyamide (30% glass fibre) remote box, incorporating fixing holes for mounting within the ceiling void. Ceiling fix via 3 push out arms. Optional, metal tile ceiling support pattress available.

- Shallow depth
- 99.9% pure aluminium reflector
- Tough GRP gearbox
- Clip-in removable x-blade
- Simple installation

Oslo Low Void X-Blade





Product	Available Options	Power	Weight	Height	Diameter	Cutout
OSL-LV-218	-DSI,-110,-DALI,-SD,-EMR	2 x 18w	2.5kg	100	252	210

Options	Code Suffix
Dimming - DSI	-DSI
Dimming - 110	-110
Dimming - DALI	-DALI
Dimming - Switchdim	-SD
3hr Remote Emergency Facility	-EMR

Light Source	Code		Power	Lampholder	Colour Temp	Output
	ILCOS	LBS				
Compact Fluorescent	FSQ-18-E	TC-DEL	18w	G24q-2	860	1200 lm

Accessories	Code Suffix
Ceiling Support Pattress	-PAT