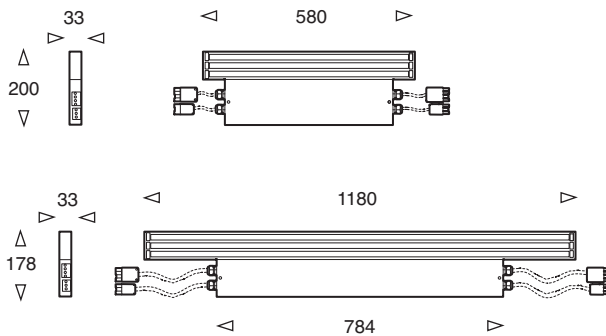


# Roy

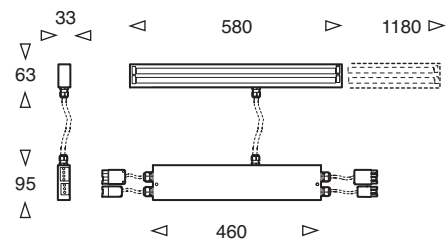
The ROY is available in 3 versions all suitable for concealed, indirect installation into cornicing or coving. In addition to the slimline single lamp versions the 2 lamp Circada versions provide mixing between warm (2700k) and cool (8000k) colour temperature lamps. This cross-dimming can be either manually controlled to suit tastes or timer controlled to vary throughout the day (see page 225). Finally a 3 lamp RGB version can also be specified where a dramatic colour change effect is required.

- Slimline overlapping modules
- 2 Lengths
- Circada version
- RGB colour change version
- Dimmable options
- T5 fluorescent lamps

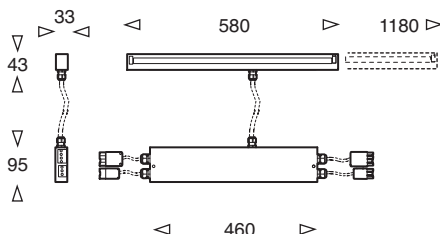
## Roy RGB 3x24/54w



## Roy Circadia 2x24/54w



## Roy SOLO 1x24/54w





Product	Available Options	Power	Weight	Height	Length	Width
ROY-124	-DSI,-110,-DALI,-SD	1 x 24w	1.4kg	33	580	43
ROY-154	-DSI,-110,-DALI,-SD	1 x 54w	2.0kg	33	1180	43
ROY-224	-DSI,-110,-DALI,-SD	2 x 24w	1.8kg	33	580	63
ROY-254	-DSI,-110,-DALI,-SD	2 x 54w	2.3kg	33	1180	63
ROY-324	-DSI,-110,-DALI,-SD	3 x 24w	2.8kg	33	580	200
ROY-354	-DSI,-110,-DALI,-SD	3 x 54w	3.3kg	33	1180	178

Options	Code Suffix
---------	-------------

Dimming - DSI Digital	-DSI
Dimming - 1-10v Analogue	-110
Dimming - DALI	-DALI
Dimming - Switchdim	-SD

Light Source	Code		Power	Lampholder	Colour Temp	Output
	ILCOS	LBS				
Linear Fluorescent T5	FDH	T16	24w	G5	865	1650 lm
Linear Fluorescent T5	FDH	T16	54w	G5	865	4250 lm