



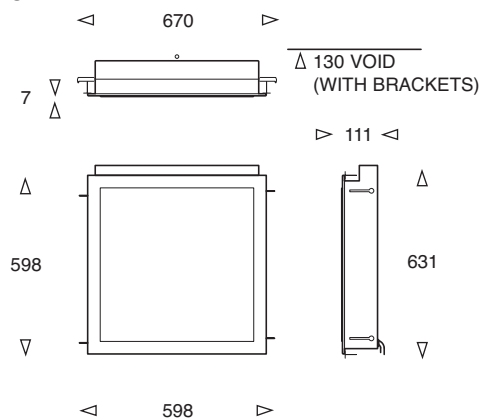
-ADR Air-handling version

SR

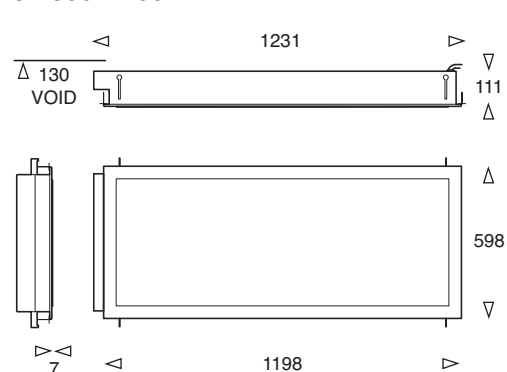
The SR will fit into most ceilings (T-grid, plasterboard and metal tile) with voids over 130mm. A general use fitting that suits neutral space with clean lines. The SR is especially suited to offices, schools and healthcare space with lower ceiling heights (<2.7m) where good uniformity is wanted. Low ceiling void (LSR) and air-handling (ADR) versions available as options.

- Virtual Daylight® specification
- Side brackets for 'pull-up' fix available
- LSR low void (90mm) option
- B45 bevel edge option for metal ceilings
- ADR air-handling (40 l/s) bypass version

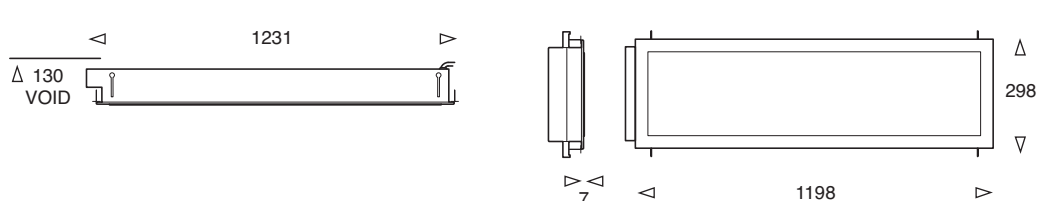
SR

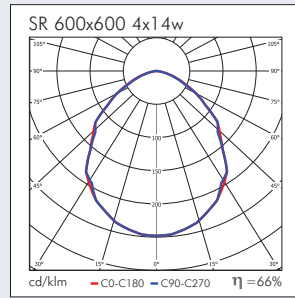
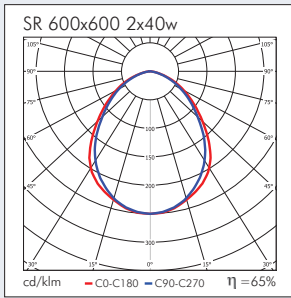


SR 600x1200



SR 300x1200





Product	Available Options	Power	Weight	Height	Width	Length
SR6-240	-DSI,-110,-DALI,-SD,-LV,-AH,-EMI,-B45	2 x 40w	7.8kg	130	598	598
SR6-314	-DSI,-110,-DALI,-SD,-LV,-AH,-EMI,-B45	3 x 14w	7.8kg	130	598	598
SR6-414	-DSI,-110,-DALI,-SD,-LV,-AH,-EMI,-B45	4 x 14w	7.8kg	130	598	598
SR3-228	-DSI,-110,-DALI,-SD,-LV,-EMI,-B45	2 x 28w	12.8kg	111	298	1198
SR3-254	-DSI,-110,-DALI,-SD,-LV,-EMI,-B45	2 x 54w	12.8kg	111	298	1198

Options **Code Suffix**

Dimming - DSI	-DSI
Dimming - 110	-110
Dimming - DALI	-DALI
Dimming - Switchdim	-SD
Low Ceiling Void	-LV
Air-Handling Facility	-AH
3 Hour Internal Emergency Facility	-EMI
Chamfered Bezel	-B45

Light Source	Code		Power	Lampholder	Colour Temp	Output
	ILCOS	LBS				
Linear Fluorescent T5	FDH	T16	14W	G5	865	1100 lm
Linear Fluorescent T5	FDH	T16	28W	G5	865	2400 lm
Linear Fluorescent T5	FDH	T16	54W	G5	865	4250 lm
Compact Fluorescent	FSDH	TC-L	40W	2G11	865	3500 lm

Accessories **Code Suffix**

Type2 Fixing Brackets	-FB2
-----------------------	------