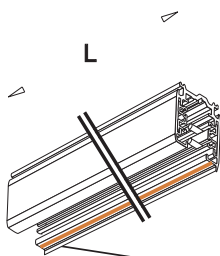


Track

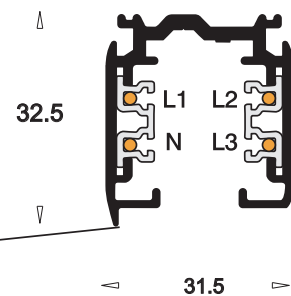
The XTS is a complete 3-circuit track system for lobbies, receptions, public facilities, factories, and retail etc. XTS is an aluminium system compatible with the majority of available european track mounted luminaires. Designed for easy surface mounting on ceilings and walls. A comprehensive range of connector accessories makes most configurations achievable. (please contact our sales department for guidance or design). The track can be supplied in customised lengths or cut to size on site using a circular or hacksaw designed for cutting aluminium. A recessed version for mounting in suspended ceilings is also available on special request. Black or white finish available as special order options.

- 3-circuit system
- Highly configurable
- Extruded aluminium
- Silver anodised finish
- 1,2 or 3-phase 3-circuit operation
- Easily cut to length

XTS 3-Circuit Track

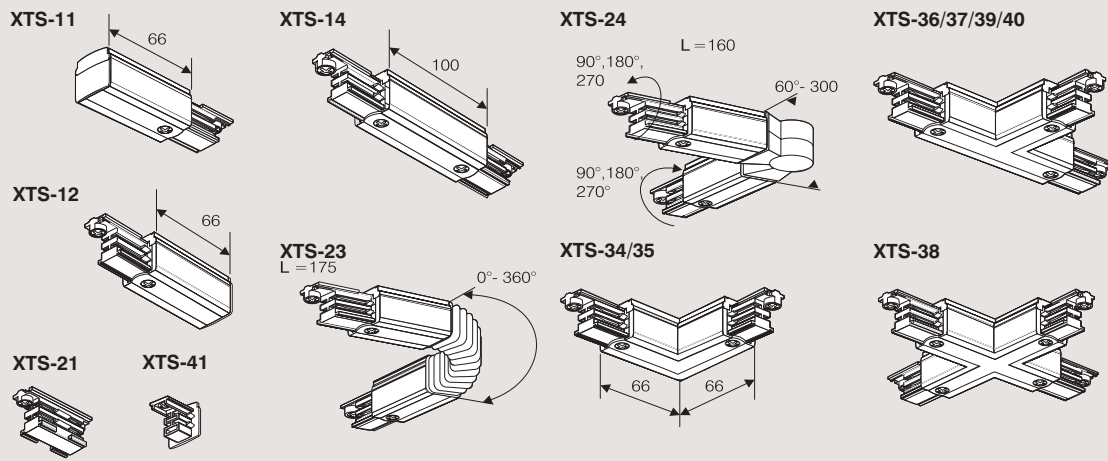


- XTS-1000 (L=1000)
- XTS-2000 (L=2000)
- XTS-3000 (L=3000)
- XTS-4000 (L=4000)



Non Symmetry Ridge





Product	Version	Height	Width	Length
XTS-1000	1m Length	32.5	31.5	1000
XTS-2000	2m Length	32.5	31.5	2000
XTS-3000	3m Length	32.5	31.5	3000
XTS-4000	4m Length	32.5	31.5	4000

Accessories	Code Suffix
Power Feeds	
End Power Feed	XTS-11
End Power Feed (Mirror Image)	XTS-12
Middle Power Feed	XTS-14
Connectors	
Straight Connector	XTS-21
Flexible Corner Connector	XTS-23
Adjustable Corner Connector	XTS-24
L-Connector/Feed	XTS-34/35
T-Connector/Feed	XTS-36/37/39/40
X-Connector/Feed	XTS-38
End Cap	XTS-41
Suspension Parts	
Point Clamp Suspension	SP-4R
End Feed Suspension	SP-4E
Middle Feed Suspension	SP-4I
L-Feed Suspension	SP-4L
T-Feed Suspension	SP-4T
X-Feed Suspension	SP-4X
Suspension Devices	
Conduit Suspension Set	SP-C16
Rod Suspension Set	SP-R6
Wire Suspension Set	SP-W1
Rod Extension Set	SP-R61
Fixing Brackets	
Ceiling Clamp	SKB-12
Suspension Clamp	SKB-16
Support	SKB-18
Wall Bracket 1	SKB-21
Wall Bracket 2	SKB-23
Height Adjustable Sleeve M6 (20mm Adjustment)	SKB-40
Height Adjustable Sleeve M10 (20mm Adjustment)	SKB-100
Adjustable Cable Holder	SPW-100
Suspension Wire 50m (1.5mm)	SPW-50
Circuit Wire Bending Tool	XTSV-12
Cover Strip 3m	XTXP-11