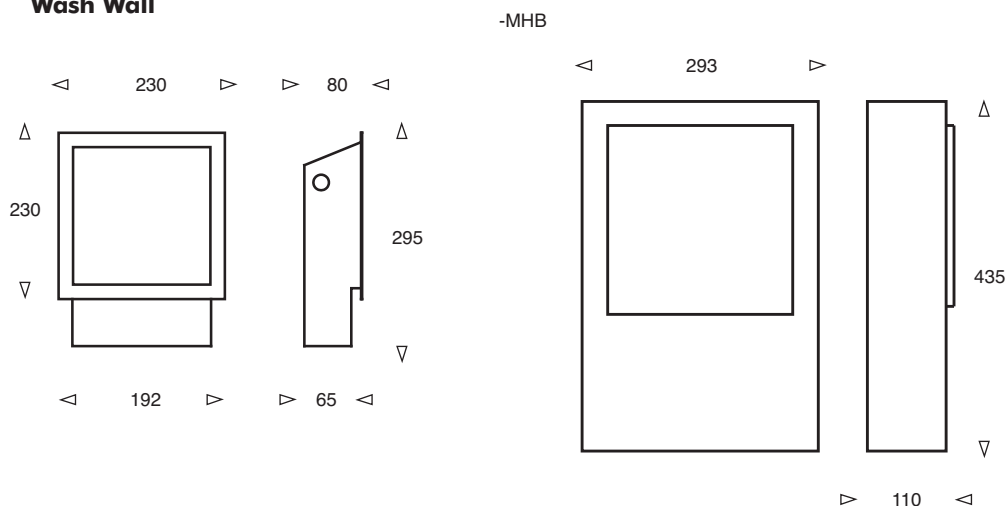


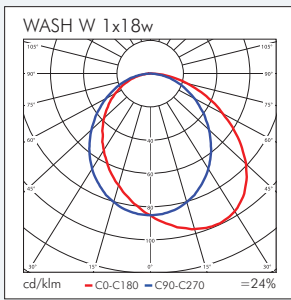
Wash W (Wall)

Designed for ceiling or floor illumination in most types of space. The Wash Wall features a high purity aluminium reflector, powder coated sheet steel construction and transparent glass front. A low depth makes the Wash suitable for installations with little available wall cavity. Fixing frame accessory permits easy installation into plasterboard. Housing box accessory allows mounting into masonry or concrete walls.

- Integral control gear
- Asymmetric light distribution
- Minimal wall cavity required
- Version available for ceiling installation (p.72)
- Plasterboard and masonry fixing kits available
- Transparent glass front

Wash Wall





Product	Available Options	Power	Weight	Height	Width	Length	Cutout
WSH-W-118	-DSI,-110,-DALI,-SD,-EMR	1 x 18w	2.3kg	80	230	230	220 x 220
WSH-W-126	-DSI,-110,-DALI,-SD,-EMR	1 x 26w	2.3kg	80	230	230	220 x 220

Options	Code Suffix
Dimming - DSI	-DSI
Dimming - 110	-110
Dimming - DALI	-DALI
Dimming - Switchdim	-SD
3 Hour Remote Emergency Facility	-EMR

Light Source	Code		Power	Lampholder	Colour Temp	Output
	ILCOS	LBS				
Compact Fluorescent	FSQ-18-E	TC-DEL	18W	G24q-2	860	1200 lm
Compact Fluorescent	FSQ-26-E	TC-DEL	26W	G24q-3	860	1800 lm

Accessories	Code Suffix
Plasterboard Fixing Frame	-PFF
Masonry Housing Box	-MHB